

BATON ROUGE BAR FOUNDATION
PRO BONO PROJECT
needs your support!

We accept 500 to 700 new clients each year.

You, the attorney, will benefit from organized pro bono work through the Baton Rouge Bar Foundation.

- *Malpractice insurance through Complete Equity Markets is provided by our project.*
- *You'll have opportunities for reduced fee CLE*
- *You gain more experience in the courtroom and with different areas of law*
- *Believe it or not, there are people in your community who are unaware of their legal rights . . . Your contribution can change a person's life forever.*

How Can I Volunteer?

Pro Bono Attorney: Volunteers provide legal assistance to low income clients and agree to accept two cases per year in the areas of SSI, bankruptcy, wills / succession, contracts, divorce and custody. Mentors are available to assist you.

Thirst for Justice: Volunteers provide legal advice to low income clients each Wednesday and Thursday afternoon from 3 to 5 p.m. at the St. Vincent de Paul Bishop Ott Shelter.

Ask-A-Lawyer Workshops: Volunteers provide legal advice to clients of various social service agencies including Catholic Community Services, East Baton Rouge Parish Libraries, Office of Family Services and others. Workshops are held weekdays from 9 to 11:45 a.m. and Saturdays from 9:30 to 11:45 a.m.

Pro Bono Curator: Volunteers act as curators for adverse parties in pro bono cases. Advertising costs will be reimbursed by the Bar Foundation.

Conflicts Panel: Volunteers serve as conflicts attorneys when an adverse party is represented by Capital Area Legal Services.

Wills for Heroes: This is a national foundation that focuses on providing wills at no cost to first responders (law enforcement officers, fire fighters and EMS).

Name _____
 Address _____
 City _____ State _____
 Zip _____ Phone _____
 E-mail _____

Reserving the right to turn down a case at any time, I am willing to accept _____ cases per year.

I will accept the following types of cases:

Family Law

- _____ Custody
- _____ Divorce
- _____ Modifications of support
- _____ Adoptions

Administrative Law

- _____ Social Security
- _____ Veterans Benefits

_____ Bankruptcy

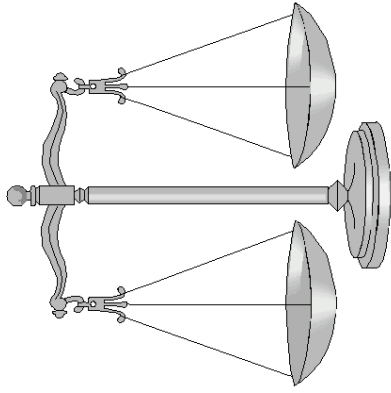
Estate Law

- _____ Wills
- _____ Small Successions

_____ Contracts

Other volunteer opportunities:

- _____ Wills for Heroes
- _____ Pro Bono Curator
- _____ Ask -A-Lawyer Workshops
- _____ Thirst for Justice
- _____ Conflicts Panel
- _____ Other _____



This Program is financially assisted by the Interest on Lawyers' Trust Accounts (IOLTA) Program of The Louisiana Bar Foundation, Capital Area Legal Services, Family, District, and City Court Filing Fees, and the Baton Rouge Bar Foundation.

BATON ROUGE BAR FOUNDATION

PRO BONO PROJECT

*... Your contribution can
change a person's life forever.*

*phone: 225-344-4803
fax: 225-344-4805*